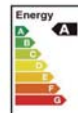
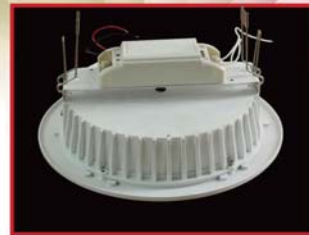


NEW DOWNLIGHT (4" 6" 8")



Product Features

1. Diffuser plate is the imported from Japan, light is soft; it's comfortable by eyes' view.
2. The shell of lighting fixture adopt integrated design, it optimize efficiency of heat dissipation.
3. Lamp body adopt surface baking varnish disposal, shape is elegant.
4. MCPET Reflective sheeting (from Japan Furukawa Electric) is used; it improves more than 25% of lamp effect.
5. External power supply and the lamp body is fixed together directly, it's more safe, and easy for installation and package.
6. Beam angle: >140°
7. Life span: ≥50,000 hours
8. Utility model patent.

Comparison With The Normal Down Light

- Structure optimization, strength and heat dissipation improved significantly
- The whole lighting flux nearly 30% higher, on average in 90 lm/W efficiency over.
- No dark areas, flash. Shiny smoothly.
- Light and grace, easy to install and remove.
- The light body with small height for easy installation

Introduction and Advantages of MCPET

1. It takes 10 years for Japan Furukawa Electric Co, Ltd to develop the MCPET reflector, which the reflection rate reaches 99% which ranking the NO.1 in this industry to solve the glare lighting and Uneven lighting problems. With the high Micro-foamed and great spreading ability, it can improve the illumination and viewing angel design & application greatly, the raising rate can reach to 40%~60%.

2. Excellent flections characteristic (reflection rate 99%. spreading reflection rate: 96%. secular reflectance: 3%)

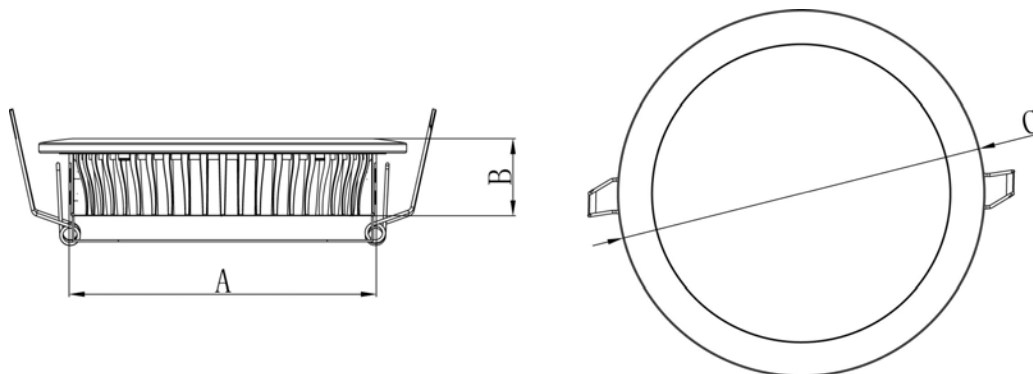


3. Light in weight and good resistance to the drop impulse, high temperature resistance (can remain the intact under the temperature 160 degree)

4. The waste material can be recycled by using PET method. The material is non-toxic and has a very smooth surface etc

5. In secondary process aspect, it can be moldered by cropping, stamping, curving, heating etc.

Drawing

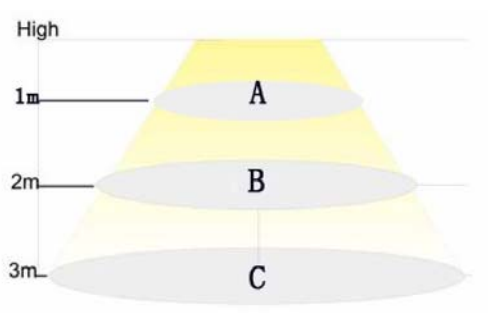


Part No	A (mm)	B (mm)	C (mm)
RDL01(4")	125	48	140
RDL02(6")	160	40	190
RDL03(8")	190	60	228

Notes: 1. All dimension units are millimeters.

2. All dimension tolerance is $\pm 0.5\text{mm}$ unless otherwise noted.

Illuminance



Symbol	Part No	RDL01(10W)	RDL02(20W)	RDL03(28W)
	Lux			
A (Lux)		380	650	1170
B (Lux)		100	175	280
C (Lux)		55	90	134

Characteristics

Absolute Maximum Rating at TA=25°C

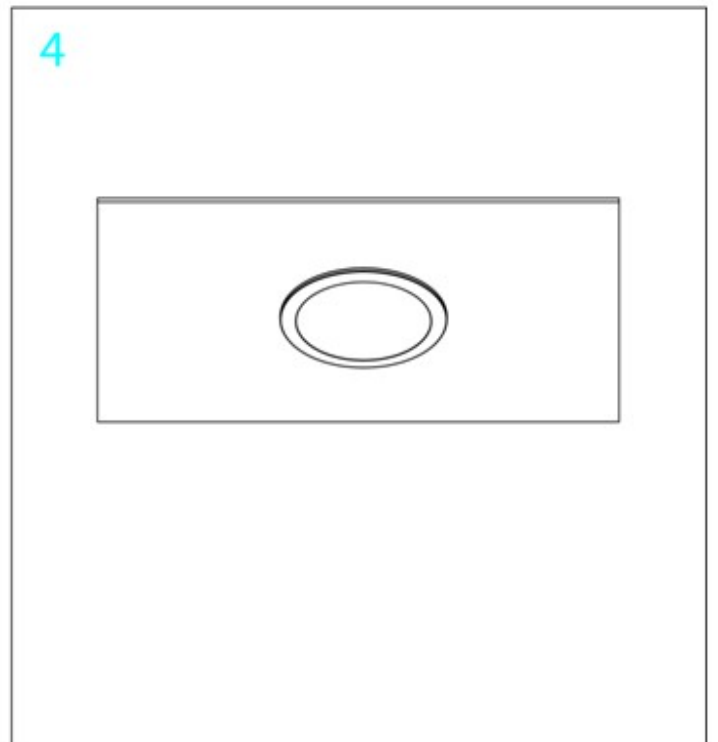
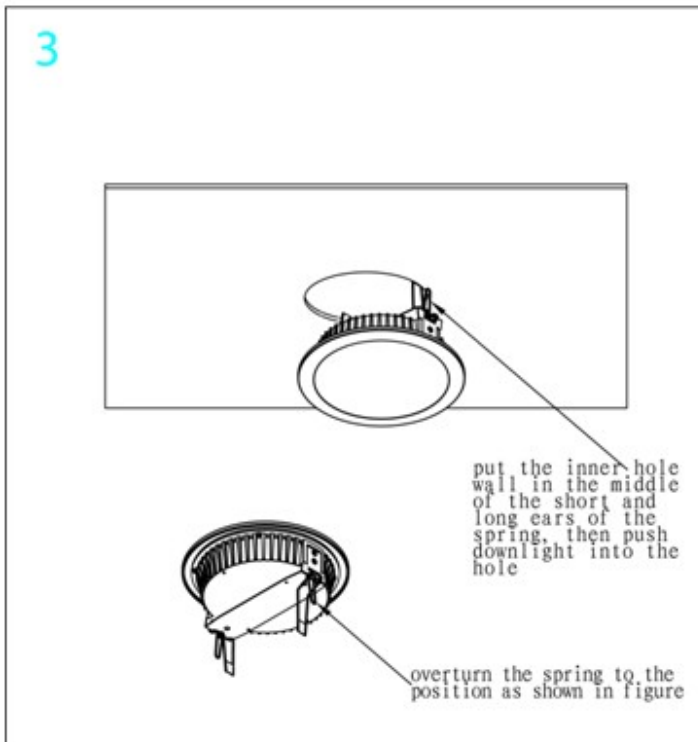
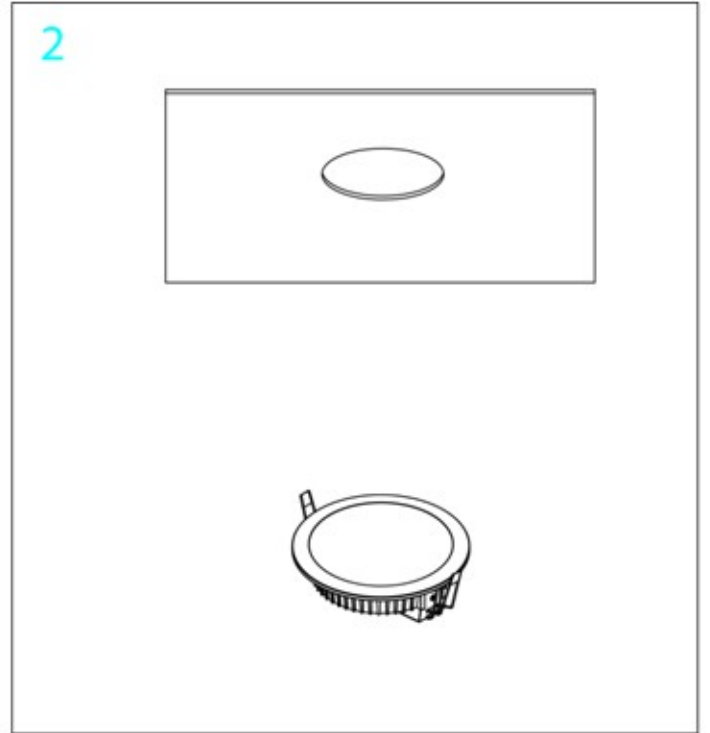
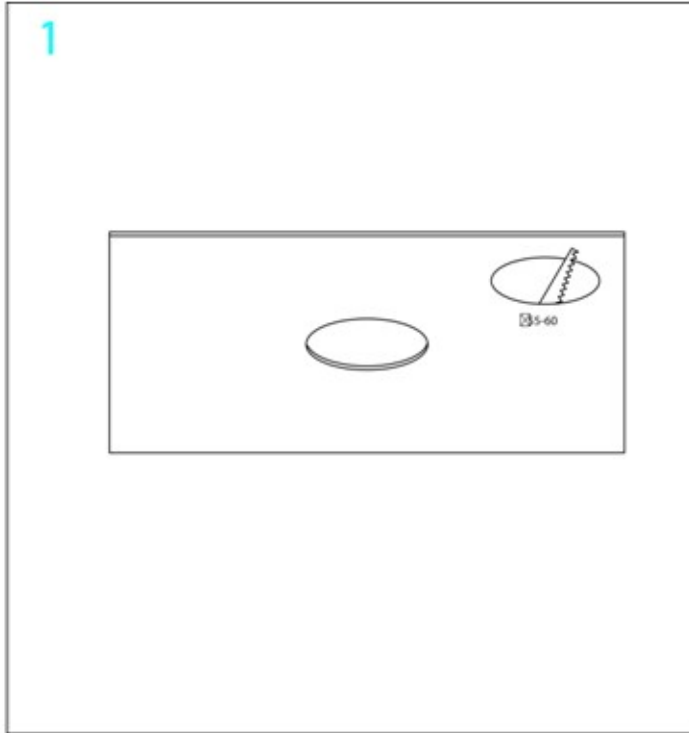
Parameter	Symbol	Absolute Maximum Rating	Unit
Forward Current	IF	350	mA
Power Dissipation	PD	15	W
Electrostatic discharge	ESD	800	V
Operating Temperature	Topr	-25~+60	°C
Storage Temperature	Tstg	-40~+80	°C

Down light technic parameter

Power	Size	CCT	Lumen	Input	Input	CRI	Quantity	Lighting
				Electricity	Voltage			Angle
10W	D140*48mm	White (5500-6500)	950	200-220mA	38-42V	70	24	140°
		Warm White (2800-3200)	900	200-220mA	38-42V	75	24	140°
20W	D190*54mm	White (5500-6500)	1950	400-440mA	38-42V	70	48	140°
		Warm White (2800-3200)	1850	400-440mA	38-42V	75	48	140°
28W	D228*60mm	White (5500-6500)	2750	600-700mA	38-42V	70	72	140°
		Warm White (2800-3200)	2600	600-700mA	38-42V	75	72	140°

Notes: Tolerance of measurement of luminous intensity±15%

Installation

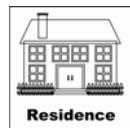
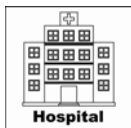


Packing Information

	Box type	Outer Carton Size (LxWxH) mm	Qty/Carton(pcs)
RDL01	Inside box	175*175*85mm	1pcs
	Carton box	370*370*365mm	16pcs
RDL02	Inside box	210*210*95mm	1pcs
	Carton box	40*440*405mm	16pcs
RDL03	Inside box	260*260*100mm	1pcs
	Carton box	540*540*425mm	16pcs

Application

Down light has been widely applied in: household lighting, business center, super market, office, hospital, bank, chain operation store, restaurant, hotel , elevator, subway, interior decoration, wedding photography, large exhibition engineering and so on.As its easy installation, beautiful appearance also with high photosynthetic efficiency.



Safety Information

1. Please make sure cut off the power before installation.
2. Please take care of water, electric shock and vibration.
3. Please use the panel with standard working voltage, any other voltage is not allowed.
4. Indoor use only.
5. Please read this manual carefully before using.

