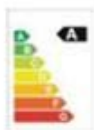


High Power LED Spotlight



Features

1.Unique magnesium alloy housing design.

Good thermal dissipation and elegant appearance.

2.High light efficient and energy saving

Replacement of 35W Halogen lamp which saves 80% energy.

3.Long Life-span

With top-quality LEDs to make sure the life-span up from 35,000 to 50000 hours

4.Top quality light effect

There is no UV or IR in the beam, making it suitable for illuminating heat-sensitive objects (food, organic materials, paintings, etc.)

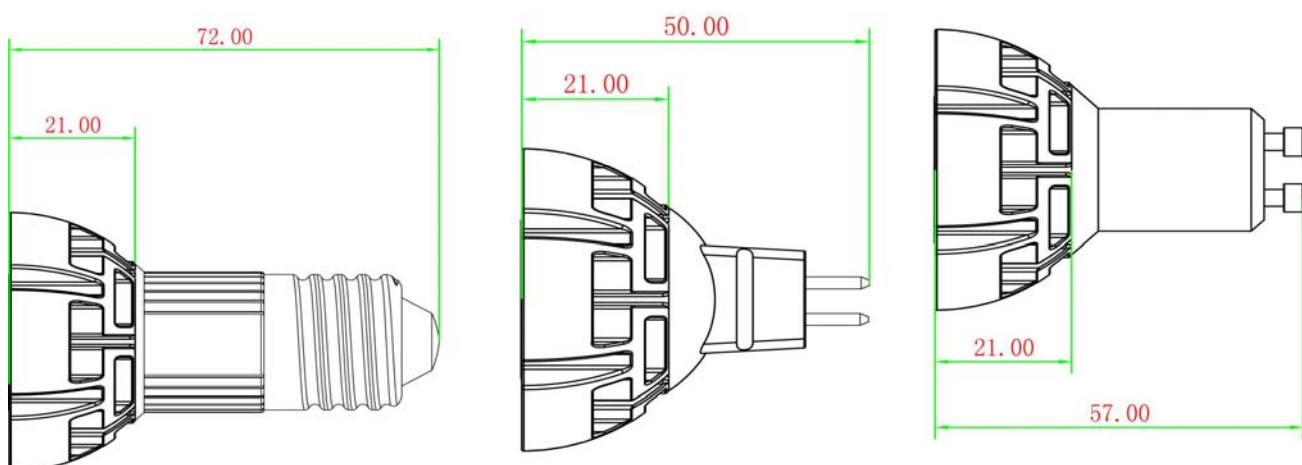
5.Environmentally friendly

These lamps are energy efficient, contain no lead or mercury and are RoHS compliant.

6.Patented design of the driver

The driver which designed and manufactured by ourselves enables the whole performance of the lamp including the life span, energy consumption and electrical parameter in high level.

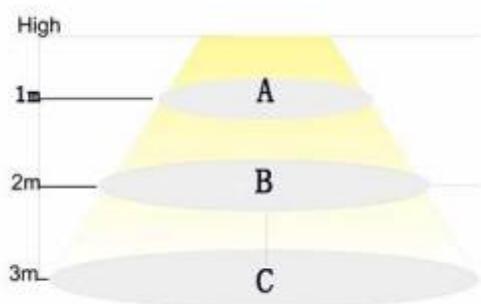
Drawing(MR16/GU10/E27)



Notes:

1. All dimension units are millimeters.
2. All dimension tolerance is ± 2 mm unless otherwise noted.

Illumination:



	3X1W MR16 WW	3X1W MR16 PW	3X1W GU10 WW	3X1W GU10 PW	3X1W E27 WW	3X1W E27 PW	3X2W MR16 WW	3X2W MR16 PW	3X2W GU10 WW	3X2W GU10 PW	3X2W E27 WW	3X2W E27 PW
A	480	510	415	430	415	430	396	450	425	470	425	470
B	120	140	100	110	100	110	110	145	122	130	122	130
C	50	57	44	46	44	46	48	60	53	55	53	55

Notes: Tolerance of measurement of luminous intensity $\pm 10\%$.

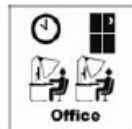
		MR16-3X1W	GU10-3X1W	E27-3X1W	MR16-3X2W	GU10-3X2W	E27-3X2W
Power (W)		3	3	3	6	6	6
Input Voltage (V)		DC/AC12	AC85-265	AC85-265	DC/AC12	AC85-265	AC85-265
LED type		1W high power LED			2W high power LED		
CCT		Pure white 6000-6500K, Warm white 3000-3500K					
Lumen (LM)	Pure White	230 $\pm 10\%$	234 $\pm 10\%$	234 $\pm 10\%$	322.3 $\pm 10\%$	333.7 $\pm 10\%$	333.7 $\pm 10\%$
	Warm white	210 $\pm 10\%$	229 $\pm 10\%$	229 $\pm 10\%$	270 $\pm 10\%$	281 $\pm 10\%$	283 $\pm 10\%$
Beam Angle(°)		15/30/60	15/30/60	15/30/60	15/30/60	15/30/60	15/30/60

Electrical / Optical Characteristics at TA =25°C

Parameter	Symbol	Absolute Maximum Rating	Unit
Electrostatic discharge	ESD	800	V
Operating Temperature	Topr	-25 \sim +60	°C
Storage Temperature	Tstg	-40 \sim +80	°C

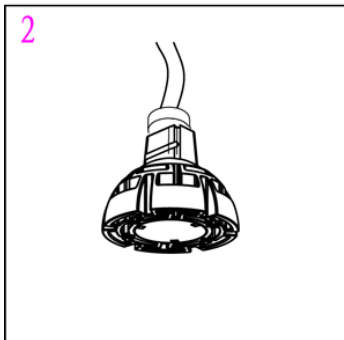
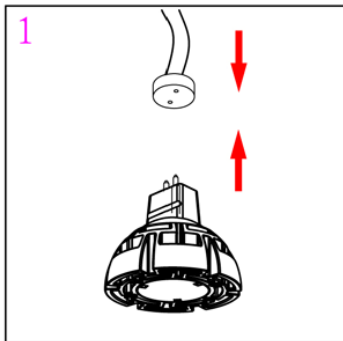
Application

Widely used in applications such as Home shop drinkery, hotel, hall, chamber, villa and other slap-up locations to illuminate and decorate. Store revelation, showcase, restaurant and other indoor decorations and lighting; revelation hall, art,

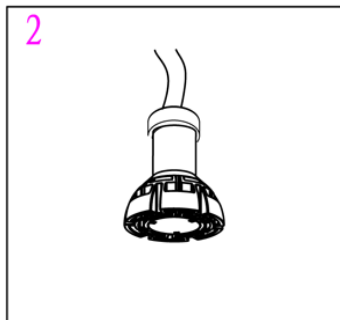
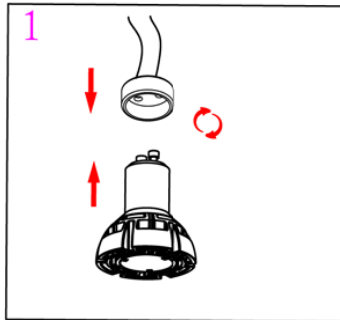


Installation:

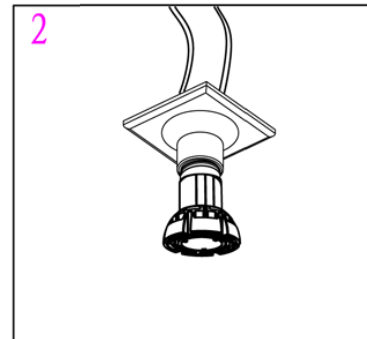
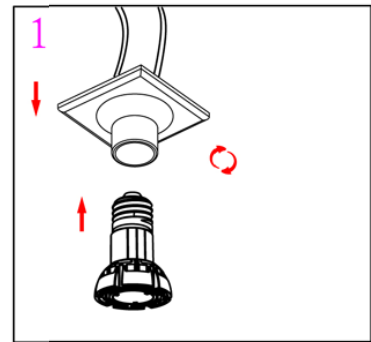
MR16 BASE



GU10 BASE



E27 BASE



Use Manual:

- 1) , Please read the Manual first to make sure the using condition is fit.
- 2) , Please turn off the power before connect the product, then turn on.
- 3) , Don't connect the spotlight exceed the rated voltage
- 4) , Indoor use only.

